

Macadams French Baguette Moulder



FEATURES & BENEFITS

- HEAVY FRAMED THICK ALUMINIUM BODY.
- ONE INPUT CYLINDER TO MAKE ROLLING EASY.
- EMERGENCY STOP BUTTON.
- RETRACTABLE RECOVERY TRAY.



Technical Specs

Macadams French Baguette Moulder

	SM 380
Power Rating	0.375 kW
Supply Voltage	230 / 400 V, 50 Hz, 3 phase, neutral & earth
Current Rating at 400 V	1 Amp
Weight Range for Dough Pieces	50 - 900 g
Average Output	2500 pieces per hour.
Dimensions (mm)	970(w) x 685(d) x 1600(h)
Weight:	
Net (with stand)	250 kg
Gross	300 kg

Contact Details

HEAD OFFICE, EXPORTS &

CAPE TOWN BRANCH

Private Bag X7, Kuils River, 7579,
South Africa.

Tel : +27 (21) 907-1000

Fax : +27 (21) 907-1111

JOHANNESBURG BRANCH

Tel : (011) 472-4100

Fax : (011) 472-4154

DURBAN BRANCH

Tel : (031) 569-6290

Fax : (031) 569-6296

EMAIL

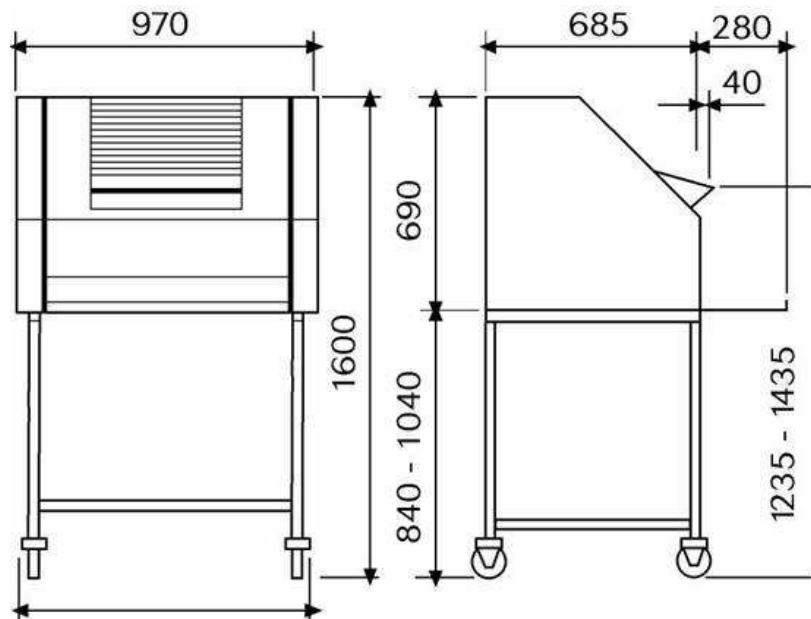
info@macadams.co.za

WEBSITE

www.macadams.co.za

We reserve the right to both
technical and design
modifications.

February 2009



The Company. The People. The Products.

