

Macadams Mac 500 Roll Moulder



FEATURES & BENEFITS

- SUITED FOR SMALLER AND MEDIUM SIZED BAKERIES.
- EVEN AND CONSISTENT OUPUT.
- DURABLE CONSTRUCTION.
- SAFE AND EASY TO OPERATE.



Technical Specs

Macadams Mac 500 Roll Moulder

Power Rating	0.75 kW
Power Supply	230 / 400 V, 50 Hz, 3 phase, neutral and earth. Other voltages available on request.
Current Rating at 400 V	2 Amps
Weight Range for Dough Pieces	30 - 500 g
Moulding Length	Up to 450 mm
Adjustable Roller Gap	0 - 20 mm
Dimensions (mm)	810 (w) x 1130 (d) x 1240 (h)
Weight	115 kg

Contact Details

HEAD OFFICE, EXPORTS & CAPE TOWN BRANCH

Private Bag X7, Kuils River, 7579,
South Africa.

Tel : +27 (21) 907-1000

Fax : +27 (21) 907-1111

JOHANNESBURG BRANCH

Tel : (011) 472-4100

Fax : (011) 472-4154

DURBAN BRANCH

Tel : (031) 569-6290

Fax : (031) 569-6296

EMAIL

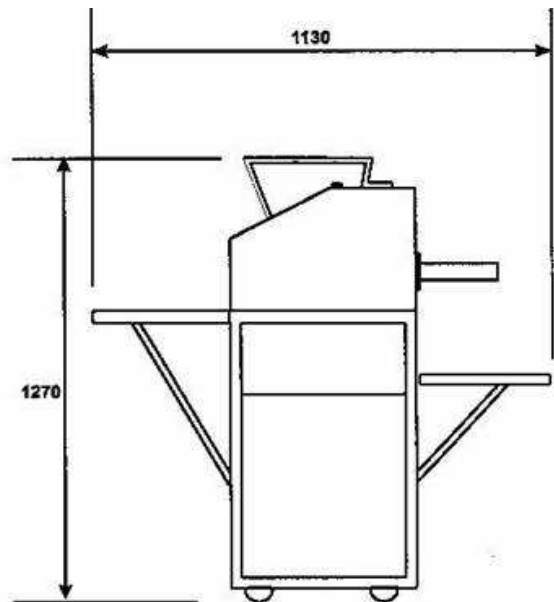
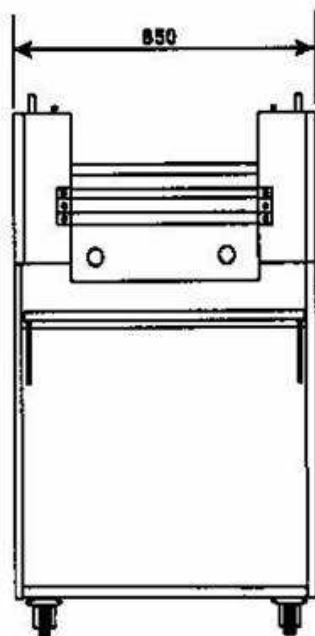
info@macadams.co.za

WEBSITE

www.macadams.co.za

We reserve the right to both
technical and design
modifications.

February 2009



The Company. The People. The Products.

