

# Macadams Macmoulder



## FEATURES & BENEFITS

- SIMPLE CONTROLS.
- SAFETY FEATURES.

- DURABLE CONSTRUCTION.



# Technical Specs

## Macadams Macmoulder

<b>Power Rating</b>	0.55 kW
<b>Power Supply</b>	200 / 400 V, 50 Hz, 3 phase, neutral and earth Other voltages on request.
<b>Current Rating at 400 V</b>	1 Amps
<b>Dough Weight Range</b>	100 - 900 g
<b>Moulding Length</b>	Up to 400 mm
<b>Adjustable Roller Gap</b>	0 - 20 mm
<b>Dimensions (mm)</b>	550 (w) x 1200 (d) x 1260 (h)
<b>Weight</b>	135 kg

### Contact Details

#### HEAD OFFICE, EXPORTS & CAPE TOWN BRANCH

Private Bag X7, Kuils River, 7579,  
South Africa.

Tel : +27 (21) 907-1000

Fax : +27 (21) 907-1111

#### JOHANNESBURG BRANCH

Tel : (011) 472-4100

Fax : (011) 472-4154

#### DURBAN BRANCH

Tel : (031) 569-6290

Fax : (031) 569-6296

#### EMAIL

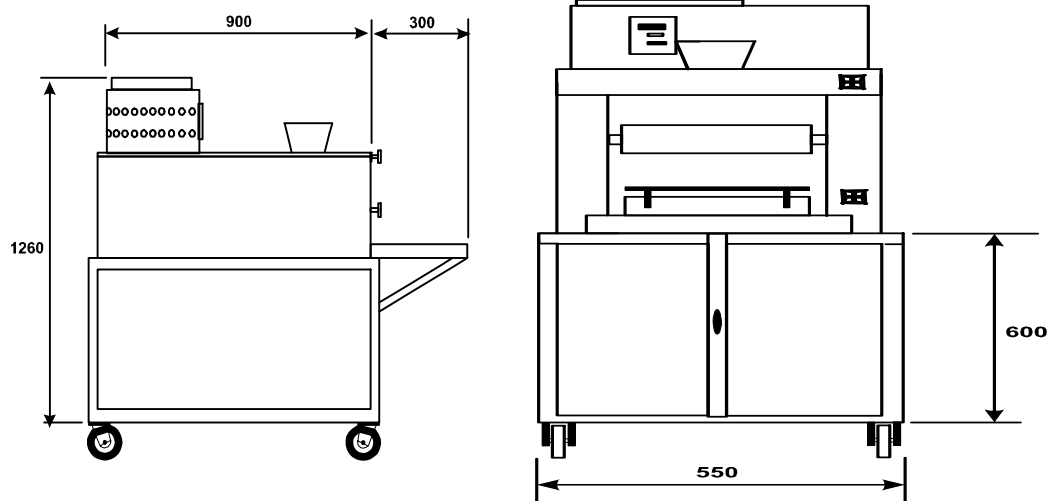
info@macadams.co.za

#### WEBSITE

www.macadams.co.za

We reserve the right to both  
technical and design  
modifications.

February 2009



The Company. The People. The Products.

